



minipack® - torre
Packaging machines and systems

TUNNEL 50 DIGIT

MONO-CHAMBER HEAT-SHRINKING TUNNEL - TUNNEL MOUTH 450X240 MM



DESCRIPTION

TUNNEL 50 e 70 are a master piece in **Minipack-Torre shrink tunnel** devices. Now on the market with up to dated solutions to pack with maximum efficacy the most different kind of shrinking film.

The **INOX** version of **TUNNEL 50** is perfect for food or pharmaceutical applications.

minipack@torre S.p.A.

Sede legale - Via Provinciale, 54 - 24044 DALMINE (BG) Italy

P.IVA - C.F.: 01633550163 - Capitale sociale 619.200,00 i.v. - Reg. Imprese di Bergamo 01633550163 - REA n. 224151

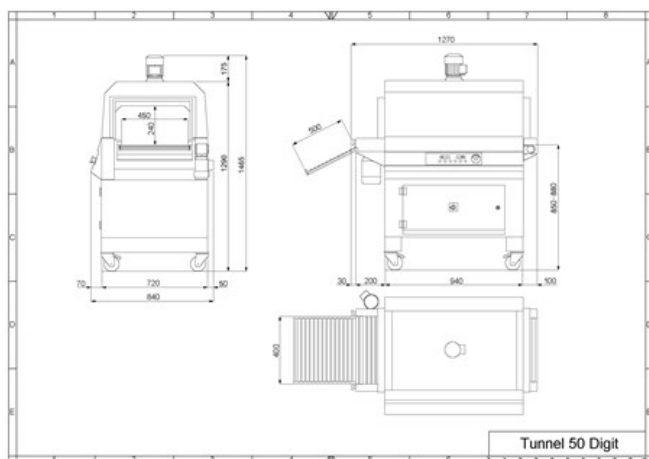


TECHNICAL FEATURES

Electrical power supply	V	200/208/220/380/415/440
Phase	ph	3
MAX power installed	kW	7.2
MAX product size	mm	400x220x lg.700
Machine dimensions	mm	1770x840x h.1465
Machine weight (Net/Gross)	kg	188/236
Tunnel infeed dimensions	mm	450x240

minipack®-torre shall not be held liable for typos or printing errors in this catalogue. It also reserves the right to make changes to the specified features without prior notice. All trademarks are property of their respective owners and are hereby acknowledged.

TECHNICAL DRAWING



TECHNICAL FEATURES

- o Manual regulation of conveyor height
- o Digital display with 9 storable programs



minipack® - torre
Packaging machines and systems

- o Selection of self rotation of conveyors rolls
- o Double air flap
- o Auto switch-off
- o Exit roll conveyor.

minipack@torre S.p.A.

Sede legale - Via Provinciale, 54 - 24044 DALMINE (BG) Italy

P.IVA - C.F.: 01633550163 - Capitale sociale 619.200,00 i.v. - Reg. Imprese di Bergamo 01633550163 - REA n. 224151