

MOM-8

Strapping Machine



- Operator Cycled, High Performance, Trackless, Semi-Automatic Strapping Machine
- Ideal for Low to Mid-Volume Mail Rooms and Packaging Centers
- Securely Unitizes Cartons, Bundles Soft Goods, Secures Coils, and Much More with Polypropylene Straps



MOM-8

Standard Features

The MOM-8 is a trackless, operator cycled table-top strapping system for low to mid-volume packaging operations where highly reliable performance is required. The MOM-8 is based on Mosca's very successful Fusion automatic strapping machine, minus the full track used for automatic strap feeding.

It is easy to be seduced by the false economy of a low price strapping machine, but in fact, the real Total Cost Ownership (TCO) associated with a strapping machine includes process interruptions and other issues related to reliability and machine performance, not merely purchase price. The Mosca MOM-8 provides the reliability that you need to keep your process productive and truly minimize your TCO costs.

- MOM-8 is designed and built by Mosca, the worldwide performance leader in strapping systems.
- Operator presses strap feed button for desired length, drapes strap over bundle and inserts end into sealer. MOM-8 automatically tensions and seals strap.
- Rugged cabinet with sturdy stainless steel cover stands up to the pounding of every day packaging operations.
- Adjustable strap tension via potentiometer; soft tension dial for sensitive packages.
- Energy saving, wear-free DC drive, brushless motor technology.
- Table-top is interlocked for operator and maintenance safety; hinged for easy access to sealer.
- Four swivel casters, two locking, offer the combination of portability and stability.
- Push button strap threading for fast coil changes.
- Workhorse strap sealer provides reliable strapping for millions of cycles.
- Thermostatically controlled heat knife makes consistent heat seals, even in variable operating conditions.
- Single circuit board provides simple, easy to maintain electrical control system.
- Simple operator controls include power on/off, strap feed jog, auto strap pre-feed and tension control.
- Uses low cost polypropylene strapping in widths of 5mm, 8mm and 12mm.

Technical Data

Production Rate: Operator Dependent

Strapping: 5mm, 8mm and 12mm Machine Grade Polypropylene

Electrical Requirements: 110V

Table Height: Infinitely adjustable from 32" (820 mm) to 35.5" (900 mm)

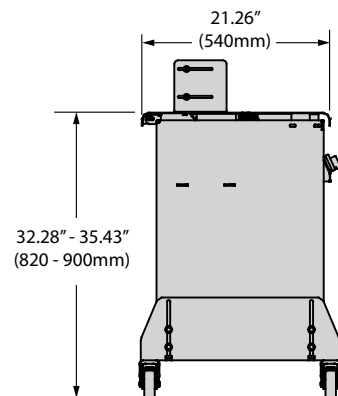
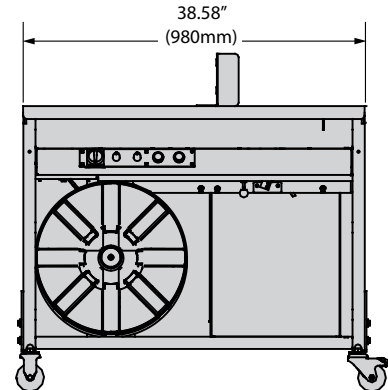
Strap Tension: DC Motor-Controlled

Strap Seal: Heat-Seal, Electronic Temperature Controlled

Controls: External controls for strap feed jog, automatic strap feed length, and tension control

Machine Color: Mosca Blue RAL 5010

Machine Shipping Weight: Approximately 200 Lbs. (90kg)



Versatile system straps a variety of products in many shapes and sizes.



EAM
MOSCA®

EAM-Mosca Corporation
675 Jaycee Drive
West Hazleton, PA 18202
ph: 800.456.3420
570.459.3426
fx: 570.455.2442
www: info@eammosca.com
www.eammosca.com

In Canada, call or write
EAM-Mosca (Canada) Ltd.
170 William Smith Drive
Whitby, Ontario L1N9N3
ph: 905.665.8225
fx: 905.665.8188