

MOSCA®

EXCELLENCE IN STRAPPING SOLUTIONS



Evolution SoniXs MS-6
Automatic Side-Seal Strapping Machine

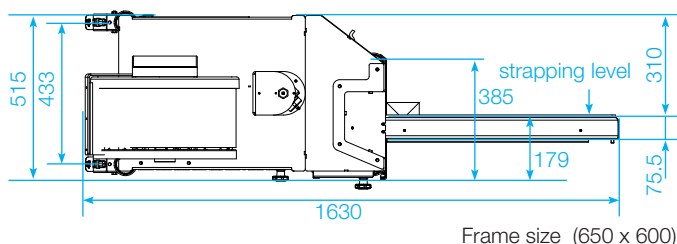
SONIXs MS-6

MACHINE DESCRIPTION

- Ultrasonic sealing system with electronic self-calibration
- Can be integrated into most production lines
- High-end Standard 6 sealing unit
- Easy accessibility and tool-free disassembly of strap path components
- Dispenser variably mountable
- Hinged table top made of stainless steel
- Adjustable strap tension via control panel
- Easy operation via digital display in the control panel
- Manual strapping release via pushbutton in the control panel
- Stepless turnable control panel (0°-180°) for many-sided operation
- 4 castors
- Extremely low energy consumption
- Structural coating RAL 5010, gentian blue

OPTIONS

- Flexible foot switch for manual strap release
- Pneumatic hold-down device
- Pneumatic side-pusher
- Sealing unit for low products (heat-welding)
- Automatic adjustment of the strap tension by package height detection
- Two-part signal light
- Low strap detection with signal in the control panel
- Signal exchange via 16-pole contact plug to integrate into fully automatic production lines
- Fully automatic strap coil change by double strap dispenser
- Special conveying heights
- Special coating according to RAL scale



TECHNICAL DATA

PERFORMANCE:

Up to 52 cycles per minute (550 mm x 500 mm)

FRAME SIZES: [W x H]

- 450 mm x 400 mm
- 550 mm x 500 mm
- 650 mm x 600 mm
- 900 mm x 600 mm / 1400 mm / 1800 mm
- 1300 mm x 600 mm / 1800 mm
- 1650 mm x 600 mm / 1800 mm

CONVEYING HEIGHT:

310 mm to 560 mm

STRAPS:

Standard machine grade 5 - 12 mm wide PP straps

STRAP COIL DISPENSER:

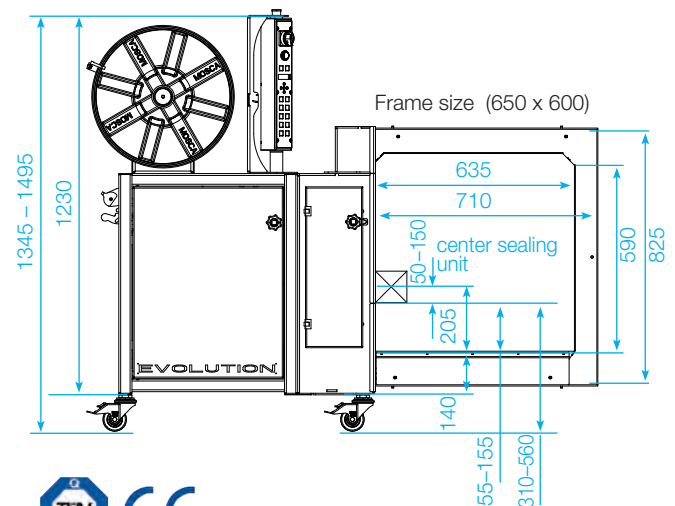
- Core diameter: 200 mm
- Core width: 190 mm

ELECTRICITY:

- Network data: 100-240 V, 50/60 Hz, 1L+N+PE
- Power consumption: approx. 0.2 kW

WEIGHT:

205 kg – 300 kg

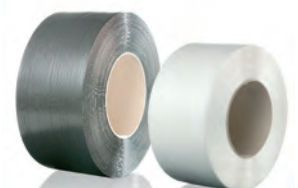


MOSCA[®]
EXCELLENCE IN STRAPPING SOLUTIONS

MOSCA GMBH

Gerd-Mosca-Straße 1
D-69429 Waldbrunn/Germany
Tel.: +49 6274/932-0
Fax: +49 6274/932-400 118
Tel. Tech. Service: +49 6274 / 932-146
E-Mail: info@mosca.com
Internet: www.mosca.com

07 / 16 Subject to Alterations



The models of MS-6 are adjustable to one strap width of all quality PP straps of 5, 6, 8, 9, 10 or 12 mm. Obtainable directly from Mosca, produced in one of Europe's most modern manufacturing plants. Combinable with maintenance contracts by Mosca – a one-stop solution.